

PRODUCT INTRODUCTION

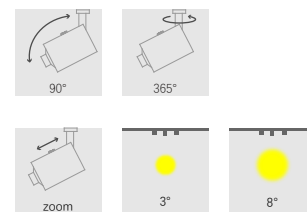
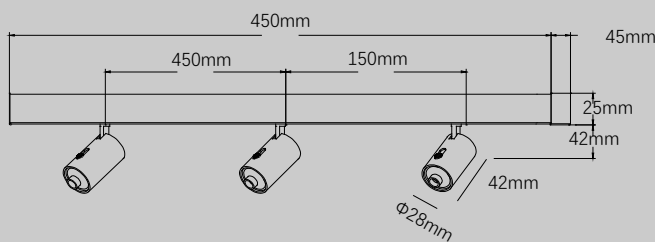
Infinity V28 Studio is fixed with 3 luminaires heads in square surface mounted style. It is flexible and easy to install. Thanks to its particular flexibility and adjustability, this 3-8°, 6-45° zoom spot is the ideal fixture for museums and highend cabinets to show different exhibits.

SPECIFICATION

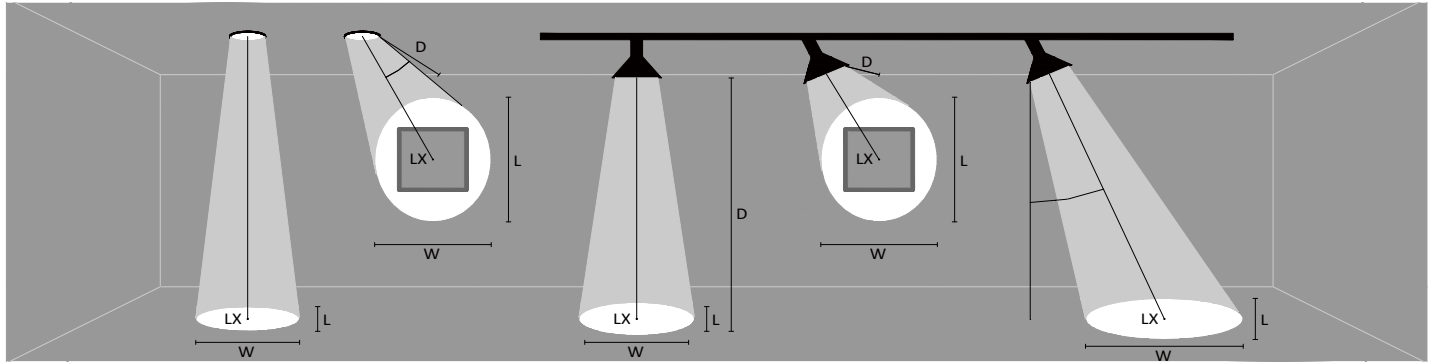
Wattage : 1W / 2W / 3W
 Color temperature : 2700K / 3000K / 4000K
 CRI : Ra95 (R9>90)
 Beam angle : 3-8°
 Adjusted by zoom lens control device
 Driver : Input voltage DC12V / DC24V / DC48V
 Dimming : 0/1-10V , DALI , TRIAC , CASAMBI

FEATURES

Product surface color : Silver, Black, Customized
 Rotatable through 365° on adaptor, 90° tilt
 Adaptor : Ceiling-mounted
 Protection degree : IP20 (En60598)
 Energy efficiency: EEIA



Radial distribution & Conical illuminance

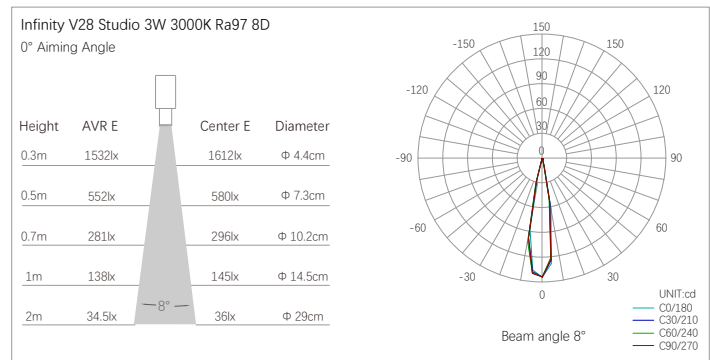
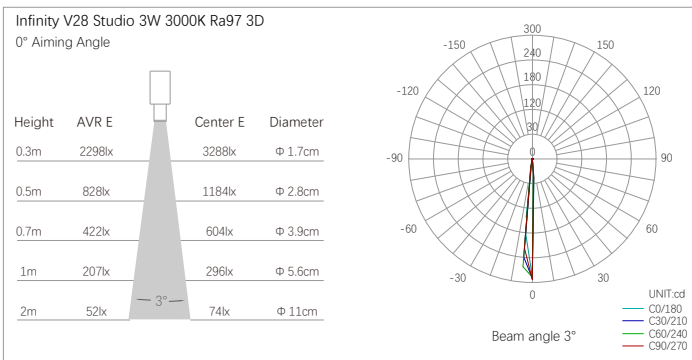


D Distance To Fix From Wall or Floor

LX Initial illuminance Level At Center of Beam

L Beam Length (where candlepower drops to 50% of maximum)

W Beam Width (where candlepower drops to 50% of maximum)



Specifications

Model No.	Total Power (W)	LED Power (W)	Voltage	CRI (Ra)	Color Temp (K)	LED Flux (lm)	Beam Angle	IP Grade
Infinity V28 Studio	1	0.9	DC12V DC24V DC48V	95	2700	300	3-8°	IP20
					3000	320		
					4000	342		
Infinity V28 Studio	2	1.8			2700	390		
					3000	426		
					4000	465		
Infinity V28 Studio	3	2.7			2700	600		
					3000	660		
					4000	690		

· Thermally stable typical lumens (±10%)

Package information

Model No.	Packaging/Unit	Pieces/Unit	Dimensions (L x W x H)	Gross Weight	Volume
Infinity V28 Studio	Inner box	1	240x165x103mm	1.3kg	4.08dm³
	Outer box	12	510x360x350mm	17kg	64.26dm³

Optional accessories



Color coated lens